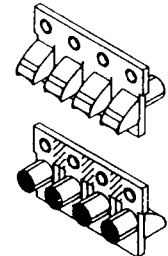
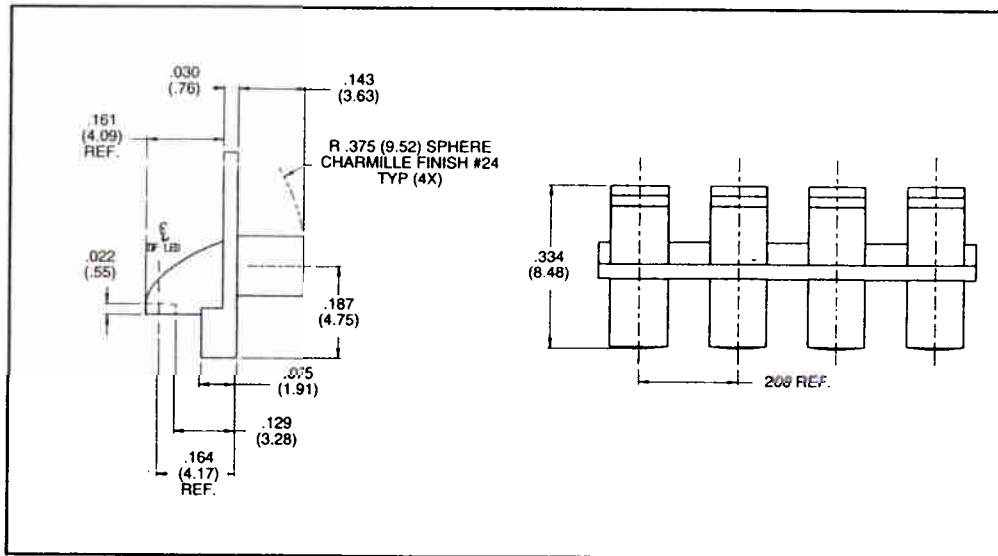




**Series 7640D2 Bright★Pipes™ OPTICAL LIGHT PIPES**

**DESCRIPTION AND FEATURES**



**ISOMETRIC VIEW**

- Precision engineered with *ray tracing* for bright, optically precise even indication and attractive appearance
- ESD protection from circuitry for exceptional reliability
- Optimized for use with Bright★Chips™ SMT LEDs
- High contrast and wide viewing angle for greater visibility
- Available in a variety of colors for added contrast and aesthetics
- Parts inserted after reflow to permit LED pad inspection before assembly
- Compliance to UL94V-O
- Low profile for height constrained applications
- Large lens provides high visibility
- All dimensions in inches (mm)

**MOUNTING HOLE AND SOLDER PAD PATTERN**

